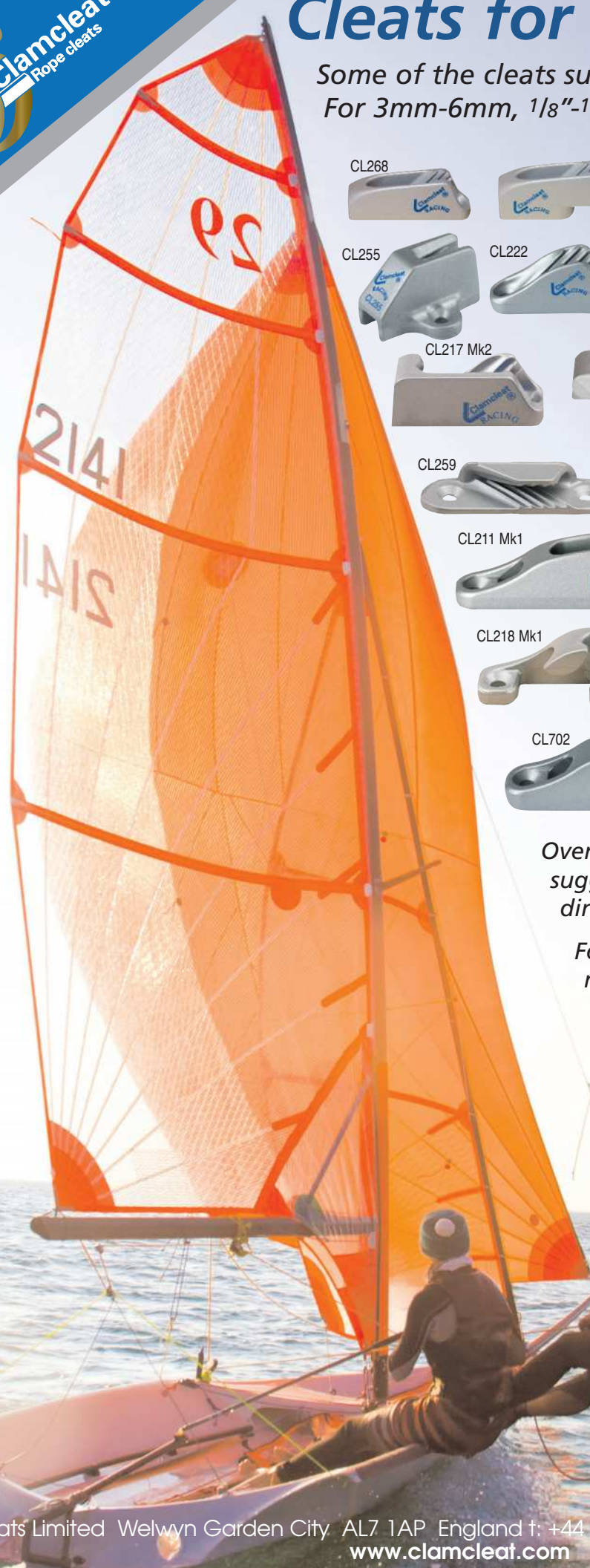


Cleats for dinghy masts

Some of the cleats suitable for use on dinghy masts.
For 3mm-6mm, 1/8"-1/4" diameter ropes.



Overleaf are some recommendations and suggestions on how to use our cleats on dinghy masts.

For more information, search by cleat number on www.clamcleat.com

*All these cleats are also available with a hard anodised finish.
For example CL278 = silver,
CL278AN = hard anodised.*

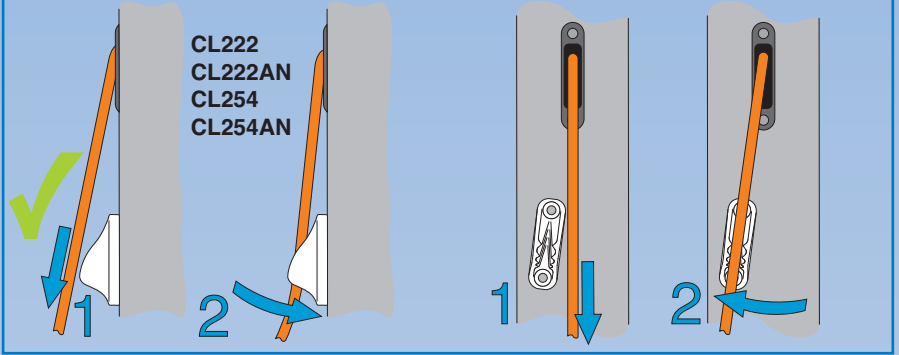
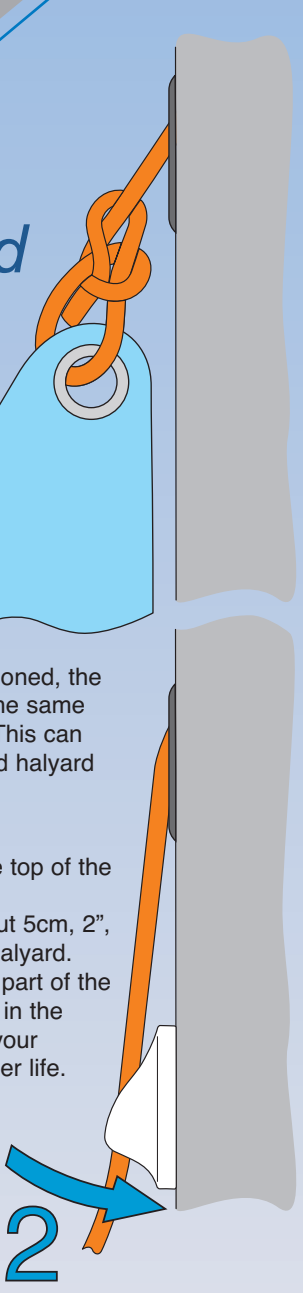
Cleats for dinghy masts

Ideas and suggestions

Halyard rope wear

When correctly tensioned, the cleat always holds the same part of the halyard. This can cause rope wear and halyard slip.

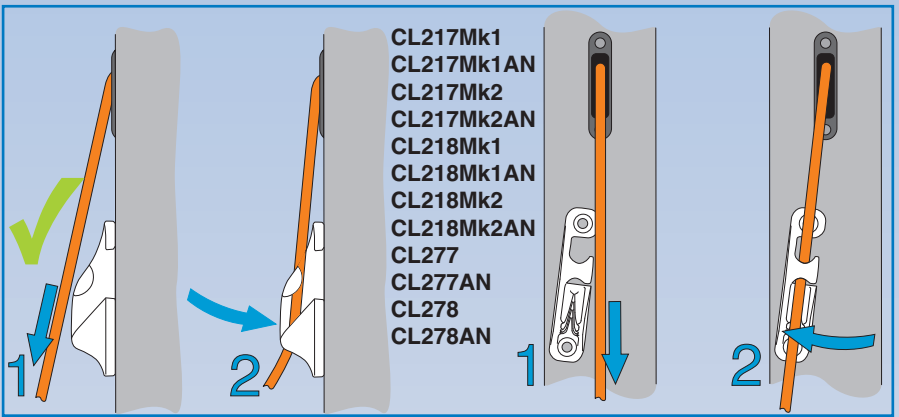
Suggestion:-
Every year, untie the top of the halyard from the sail headboard. Cut about 5cm, 2", from the top of the halyard. Re-fix to sail. A new part of the rope is then gripped in the cleat. This will give your halyard a much longer life.



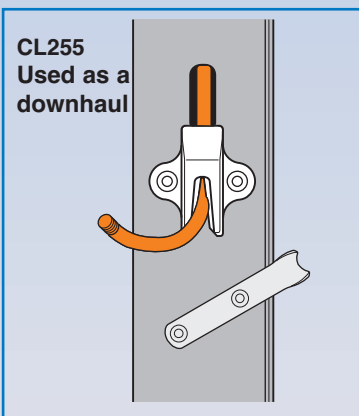
CL222
CL222AN
CL254
CL254AN

Always tension the halyard before putting in the cleat.

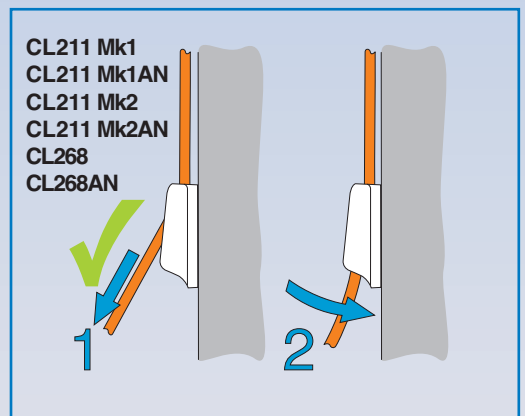
Cleat can be fixed slightly off-centre. Tension halyard then move across to cleat.



CL217Mk1
CL217Mk1AN
CL217Mk2
CL217Mk2AN
CL218Mk1
CL218Mk1AN
CL218Mk2
CL218Mk2AN
CL277
CL277AN
CL278
CL278AN

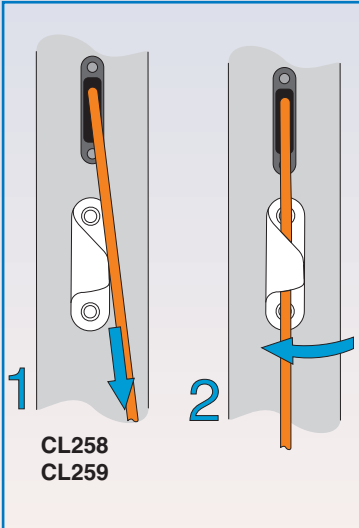
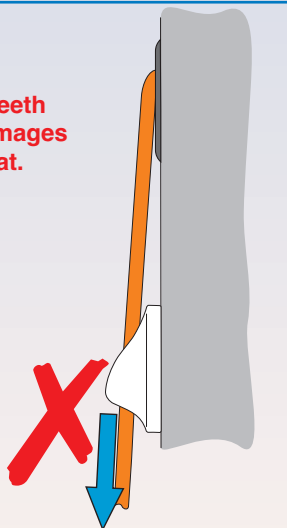


CL255
Used as a downhaul

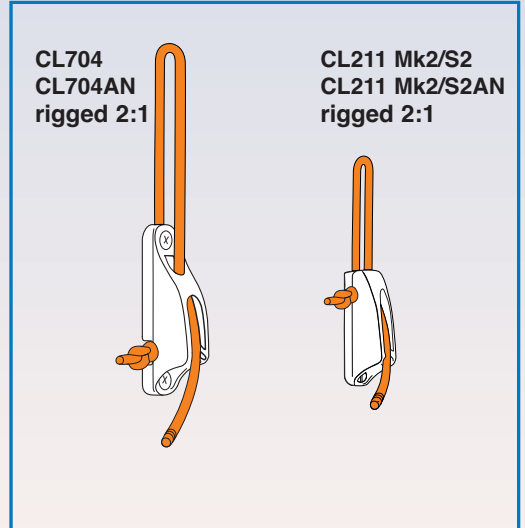


CL211 Mk1
CL211 Mk1AN
CL211 Mk2
CL211 Mk2AN
CL268
CL268AN

Pulling the halyard through the cleat's teeth when tensioning damages the rope and the cleat.



CL258
CL259



CL704
CL704AN
rigged 2:1

CL211 Mk2/S2
CL211 Mk2/S2AN
rigged 2:1